

2.5" to 3.5" Converter

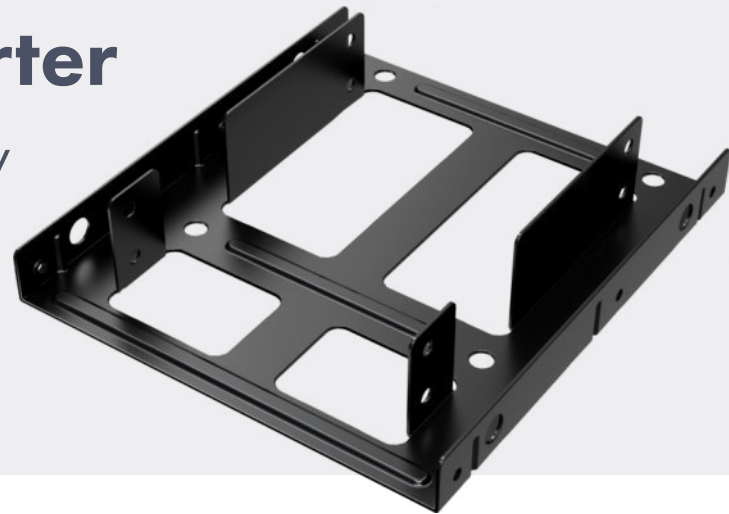
for 2x 2,5" SSD/HDD to 3.5" bay



For 2x 2.5"
HDD/SSD



For 3.5" Internal
Bay

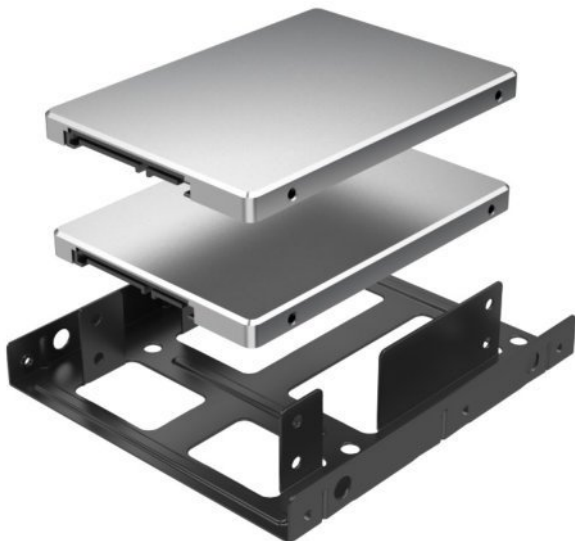


Features

- Supports 2x 2.5" SSD/HDD into a 3.5" bay
- Supports 2.5" SSD/HDD up to 9.5mm height
- 80mm fan could be added to the bottom of the adapter for better cooling

When two must into one

With our HDD / SSD converter, two 2.5" HDD's / SSD's can be easily built into a 3.5" mounting bay. Our converter G-CV-25T35 can accommodate HDD's / SSD's up to a height of 9.5 mm.



Article G-CV-25T35
Article No. 18018
EAN/GTIN 4260746550184

Specification

- **Support** : 2x 2.5" HDD / SSD into a 3.5" bay
- **Product material** : metal
- **Dimension** : 102x115x24 mm
- **Weight** : 55 g

Package Contents

- 1 x G-CV-25T35
- 1 x SSD/HDD mounting screws
- 1 x User Manual
- 1 x Warranty card

Logistic Data

Packaging Unit: ? pcs/carton; Total weight of carton: ? kg; Gross weight of product: 79g; Net weight of product: 55g;
 Dimension/carton: ? mm; Dimension (Pack.)of product: 105x118x27mm; Dimension of product: 102x115x24mm

G-CV-25T35

